

3P, 3F, 3S and 3T Metal Heater

Durable, efficient metal heater. Available in Steel, 304 Stainless Steel, 316 Stainless Steel, and Titanium.



FEATURES

For use in most aqueous alkaline solutions, plating and phosphate tanks. Check solution recommendation chart with your chemical supplier for proper sheath material selection.

Heavy wall metal sheaths available in: steel, 304 stainless steel, 316 stainless steel, titanium.

Watt densities up to 35 watts per square inch (5.4 w/cm²) ensure long service life.

Vapor-resistant, flame retardant polypropylene terminal enclosure with 3 ft (.9m) flexible PVC liquid tight conduit.

Temperature and level controls sized to match the heater.

Lower watt densities for highly viscous solutions.

NOTE: Intended for vertical installation only.

| 3P, 3F, 3S, and 3T SERIES, TRIPLE METAL HEATERS | | | | | | | | |
|---|-------|-----------------------|-----------------------------|--------------|--------------|--------------|--------------|-------------------------|
| WATTS | VOLTS | HOT ZONE In./.(mm) | OVERALL LENGTH In./.(mm) | STEEL | 304 SS | 316 SS | TITANIUM | SHIP WGT. Lbs./.(kg) |
| 3000 | 240 | 6 | 11 | 3P3211-*.** | 3F3211-*.** | 3S3211-*.** | 3T3211-*.** | 21 |
| | 480 | (152) | (279) | 3P3411-*.** | 3F3411-*.** | 3S3411-*.** | 3T3411-*.** | (9.5) |
| 6000 | 240 | 10 | 17 | 3P6217-*.** | 3F6217-*.** | 3S6217-*.** | 3T6217-*.** | 30 |
| | 480 | (254) | (432) | 3P6417-*.** | 3F6417-*.** | 3S6417-*.** | 3T6417-*.** | (13.6) |
| 9000 | 240 | 16 | 23 | 3P9223-*.** | 3F9223-*.** | 3S9223-*.** | 3T9223-*.** | 33 |
| | 480 | (406) | (584) | 3P9423-*.** | 3F9423-*.** | 3S9423-*.** | 3T9423-*.** | (15) |
| 12000 | 240 | 20 | 29 | 3P12229-*.** | 3F12229-*.** | 3S12229-*.** | 3T12229-*.** | 39 |
| | 480 | (508) | (737) | 3P12429-*.** | 3F12429-*.** | 3S12429-*.** | 3T12429-*.** | (17.7) |
| 15000 | 240 | 25 | 35 | 3P15235-*.** | 3F15235-*.** | 3S15235-*.** | 3T15235-*.** | 45 |
| | 480 | (635) | (889) | 3P15435-*.** | 3F15435-*.** | 3S15435-*.** | 3T15435-*.** | (20.4) |
| 18000 | 240 | 30 | 40 | 3P18240-*.** | 3F18240-*.** | 3S18240-*.** | 3T18240-*.** | 51 |
| | 480 | (762) | (1016) | 3P18440-*.** | 3F18440-*.** | 3S18440-*.** | 3T18440-*.** | (23.1) |
| 24000 | 240 | 37 | 47 | 3P24247-*.** | 3F24247-*.** | 3S24247-*.** | 3T24247-*.** | 63 |
| | 480 | (940) | (1194) | 3P24447-*.** | 3F24447-*.** | 3S24447-*.** | 3T24447-*.** | (28.6) |
| 27000 | 240 | 44 | 54 | 3P27254-*.** | 3F27254-*.** | 3S27254-*.** | 3T27254-*.** | 69 |
| | 480 | (1118) | (1372) | 3P27454-*.** | 3F27454-*.** | 3S27454-*.** | 3T27454-*.** | (31.3) |
| 30000 | 240 | 49 | 59 | 3P30259-*.** | 3F30259-*.** | 3S30259-*.** | 3T30259-*.** | 75 |
| | 480 | (1245) | (1499) | 3P30459-*.** | 3F30459-*.** | 3S30459-*.** | 3T30459-*.** | (34) |
| 36000 | 240 | 58 | 68 | 3P36268-*.** | 3F36268-*.** | 3S36268-*.** | 3T36268-*.** | 84 |
| | 480 | (1473) | (1727) | 3P36468-*.** | 3F36468-*.** | 3S36468-*.** | 3T36468-*.** | (38.1) |

Three Phase Standard

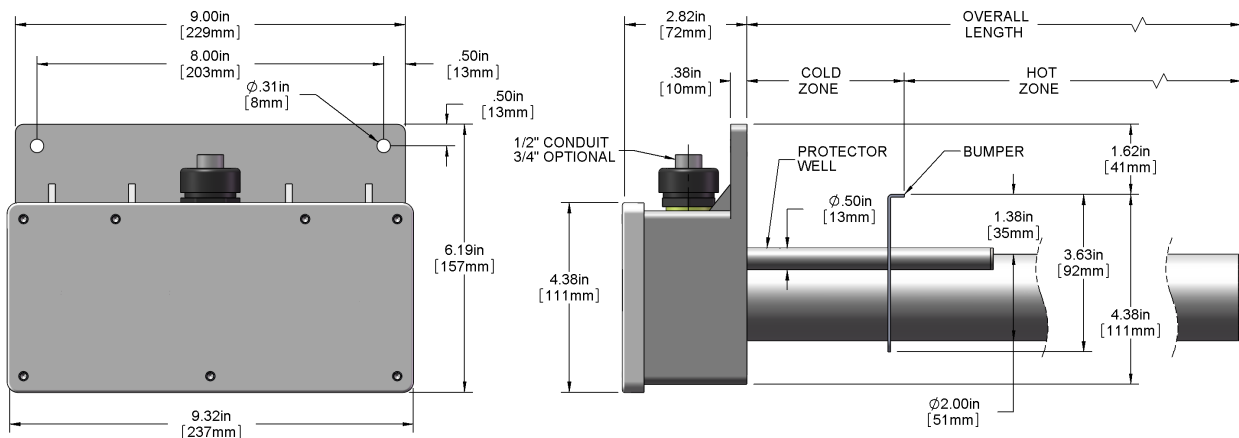
call 1-440-974-1300 • visit processtechnology.com • or contact your local representative for more information

3P, 3F, 3S and 3T Metal Heater

SPECIFICATIONS

| | |
|-------------------|--|
| Wattages | 3000 Watts to 36,000 Watts |
| Voltages | 200 volts to 600 volts, (600V on 4,500W or lower only) |
| Temperature Range | Up to 180°C (82°F) |
| Options | Special configurations & lengths Longer wire and conduit lengths All metal welded junction box |
| Safety Features | Grounded construction Thermal protector built in. Replaceable PI protector standard for solutions up to 180°C (82°F). See chart below for options |

DIMENSIONS



MODEL NUMBER BREAKDOWN

| Series | Wattage | Voltage | Overall Length | Phase | Type of Protector | Wire & Conduit Length |
|--------------------------|------------|---------|----------------|--------------------|---|--|
| 3P = Steel | 3 = 3000 | 1 = 120 | 11 = 3kW | -3 = 3 phase (std) | Replaceable Fuse P1 (std) = solutions up to 180°F P4 = solutions up to 230°F P5 = solutions up to 300°F | 36" length standard (no designator) Specify variations from standard Ex: -X84 = 84" |
| 3F = 304 stainless steel | 6 = 6000 | 2 = 240 | 17 = 6kW | -1 = single phase | Resettable Fuse P2 = solutions up to 180°F P6 = solutions up to 230°F P7 = solutions up to 300°F | |
| 3S = 316 stainless steel | 9 = 9000 | 3 = 380 | 23 = 9kW | | | |
| 3T = Titanium | 12 = 12000 | 4 = 480 | 29 = 12kW | | | |
| | 15 = 15000 | 5 = 415 | 35 = 15kW | | | |
| | 18 = 18000 | 6 = 600 | 40 = 18kW | | | |
| | 24 = 24000 | 7 = 400 | 47 = 24kW | | | |
| | 27 = 27000 | 8 = 208 | 54 = 27kW | | | |
| | 30 = 30000 | 9 = 220 | 59 = 30kW | | | |
| | 36 = 36000 | 0 = 200 | 60 = 68kW | | | |

call 1-440-974-1300 • visit processtechnology.com • or contact your local representative for more information